

Instal[®]

Cable trunkings



For construction and electrical renovation projects.



Easy-to-install trunking systems.



Wide selection of products.



Gloss levels:

White

RAL9010

Gloss level 78± 5.

Black

RAL 9005

Gloss level over 80

Instal® 100

Aluminium cable trunking

For 80 mm sockets and fixtures

Cross-section area for cables 5 700 mm²

Instal® 130

Aluminium cable trunking

For 80 mm sockets and fixtures

Cross-section area for cables 7 440 mm²

Instal® 170-1

Aluminium cable trunking

For 80 mm sockets and fixtures

Cross-section area for cables 9 915 mm²

Instal® 170-2-45

Aluminium cable trunking

For 80 mm and 45 mm sockets and fixtures

Cross-section area for cables 9 765 mm²

Perforated inside wall.

Instal® 170-2-45 90

Aluminium cable trunking

For 80 mm and 45 mm sockets and fixtures

Cable trunking depth 90 mm

Cross-section area for cables 13 570 mm²

Instal® 170-2F-45

Aluminium recessed cable trunking

For 80 mm and 45 mm sockets and fixtures

Cross-section area for cables 9 780 mm²

Instal® 210-2

Aluminium cable trunking

For two 80 mm sockets and fixtures

Cross-section area for cables 12 120 mm²

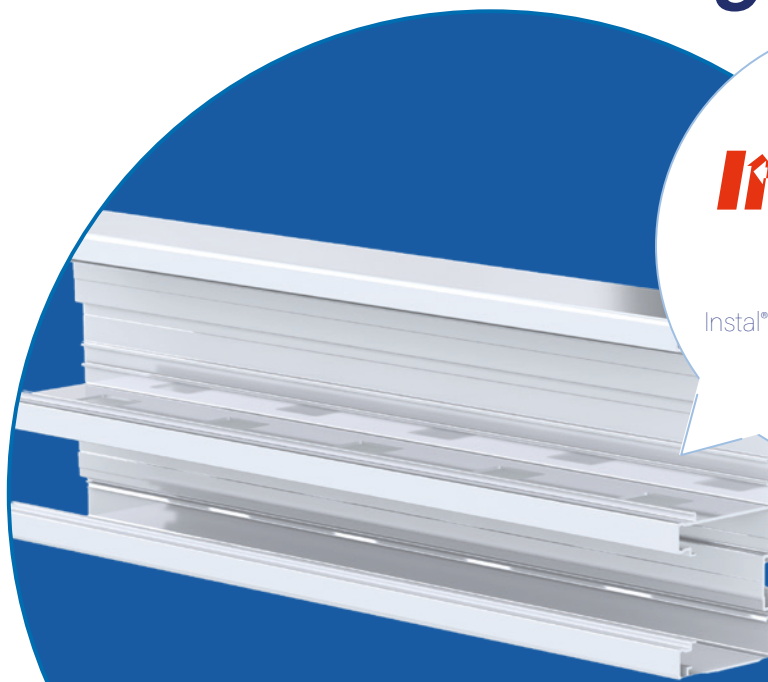
Perforated inside wall.



Up-to-date and detailed product information, measurement results and installation examples can be found on our website:


www.meka.eu

New in Instal® cable trunkings!




Instal® 50%
CO₂

New!
Instal® products with low-carbon
aluminium


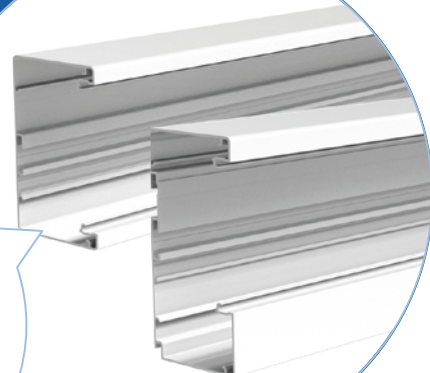


New! Instal® 170-2
has been updated to
Instal® 170-2-45

Note!
Now capable to fit more sockets,
including
45mm sockets.

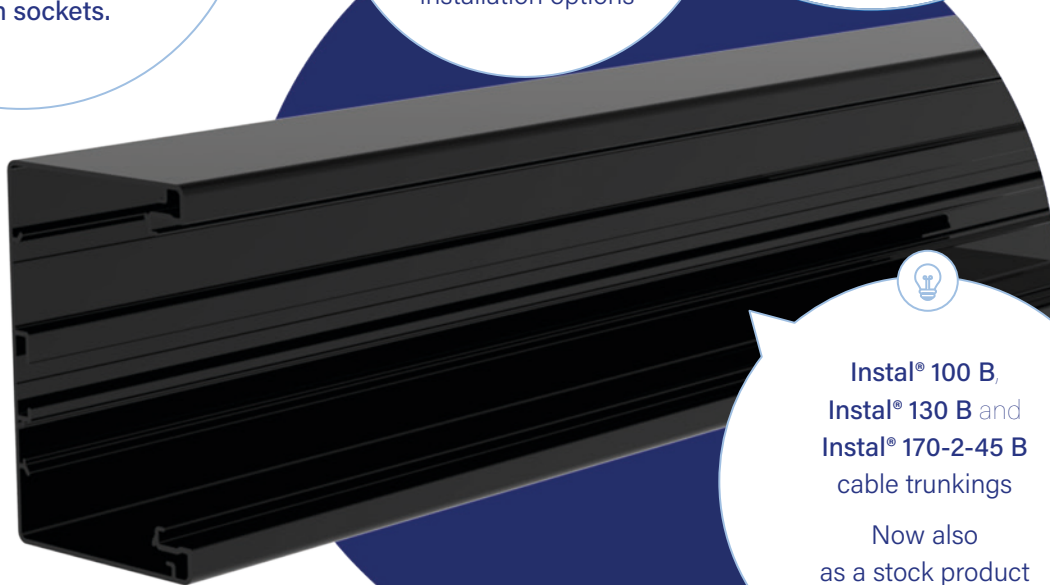


New!
Instal® 100, 130 and
170-2-45 -
cable trunkings.
Even more compatible
openings for various furniture
installation options

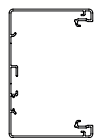


Instal® 100 B,
Instal® 130 B and
Instal® 170-2-45 B
cable trunkings

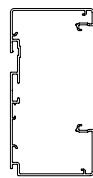
Now also
as a stock product
in black.



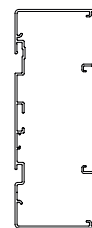
Instal® Cable trunkings



INSTAL® 100

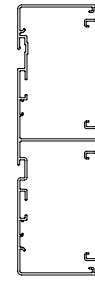
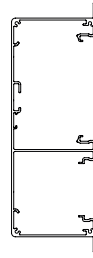
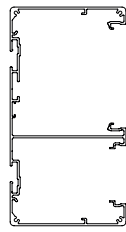
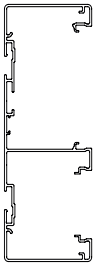


INSTAL® 130



INSTAL® 170-1

Cable trunking base		Instal 100 M PW Instal 100 B Instal 100 AD	1459032 1459068 1459034	Instal 130 M PW Instal 130 B Instal 130 AD	1459033 1459069 1459035	Instal 170-1 M PW Instal 170-1 AD	1429582 1429603
Cover		Instal K80 M PW Instal K80 B Instal K80 AD	1429533 1429575 1429680	Instal K80 M PW Instal K80 B Instal K80 AD	1429533 1429575 1429680	Instal K80 M PW Instal K80 AD	1429533 1429680
Cover							
Joint		Instal J	1429769	Instal J	1429769	Instal J	1429769
Corner piece		Instal KU 100 M PW Instal KU 100 B Instal KU 100 AD	1459051 1459072 1459053	Instal KU 130 M PW Instal KU 130 B Instal KU 130 AD	1459052 1459073 1459054	Instal KU 170 M PW Instal KU 170 AD	1429526 1429613
End plate		Instal P 100 M Instal P 100 B Instal P 100 AD	1459036 1459070 1459038	Instal P 130 M Instal P 130 B Instal P 130 AD	1459037 1459071 1459039	Instal P 170 M Instal P 170 AD	1429723 1429653
Wall collar		Instal LVK 100	1459055	Instal LVK 130	1459056	Instal LVK 170	1429743
Trunking collar		Instal LK 100	1459057	Instal LK 130	1459058	Instal LK 170	1429753
Wall bracket				Instal SK 20 Instal SK 40 Instal SK 75 Instal SK 100 Instal SK 125	1429761 1429762 1429763 1429764 1429765	Instal SK 20 Instal SK 40 Instal SK 75 Instal SK 100 Instal SK 125	1429761 1429762 1429763 1429764 1429765
Decorative rib				Instal PS M PW Instal PS AD Used with wall bracket SK.	1429595 1429670	Instal PS M PW Instal PS AD	1429595 1429670
Joint PSJ				Instal PSJ	1429771	Instal PSJ	1429771
Joint cover		Instal UT 100 M Instal UT 100 AD	1459045 1459047	Instal UT 130 M Instal UT 130 AD	1459046 1459048	Instal UT 170 M Instal UT 170 AD	1429783 1429683
Adjusting piece				Instal SL2 Used with wall bracket SK.	1429528	Instal SL2 Used with wall bracket SK.	1429528
Cable shelf		Instal VS Instal VS2	1429777 1429778	Instal VS Instal VS2	1429777 1429778	Instal VS Instal VS2	1429777 1429778
Earthing coupler		Instal ML	1429276	Instal ML	1429276	Instal ML	1429276
Sound isolation piece		Instal LIS-80	1429301	Instal LIS-80	1429301	Instal LIS-80	1429301
Mounting box		Basic MB	1433240	Basic MB	1433240	Basic MB	1433240
End caps with strain relieves		Basic EC	1433241	Basic EC	1433241	Basic EC	1433241
Cable tie clamp		Instal CH	1429451	Instal CH	1429451	Instal CH	1429451



INSTAL® 170-2-45

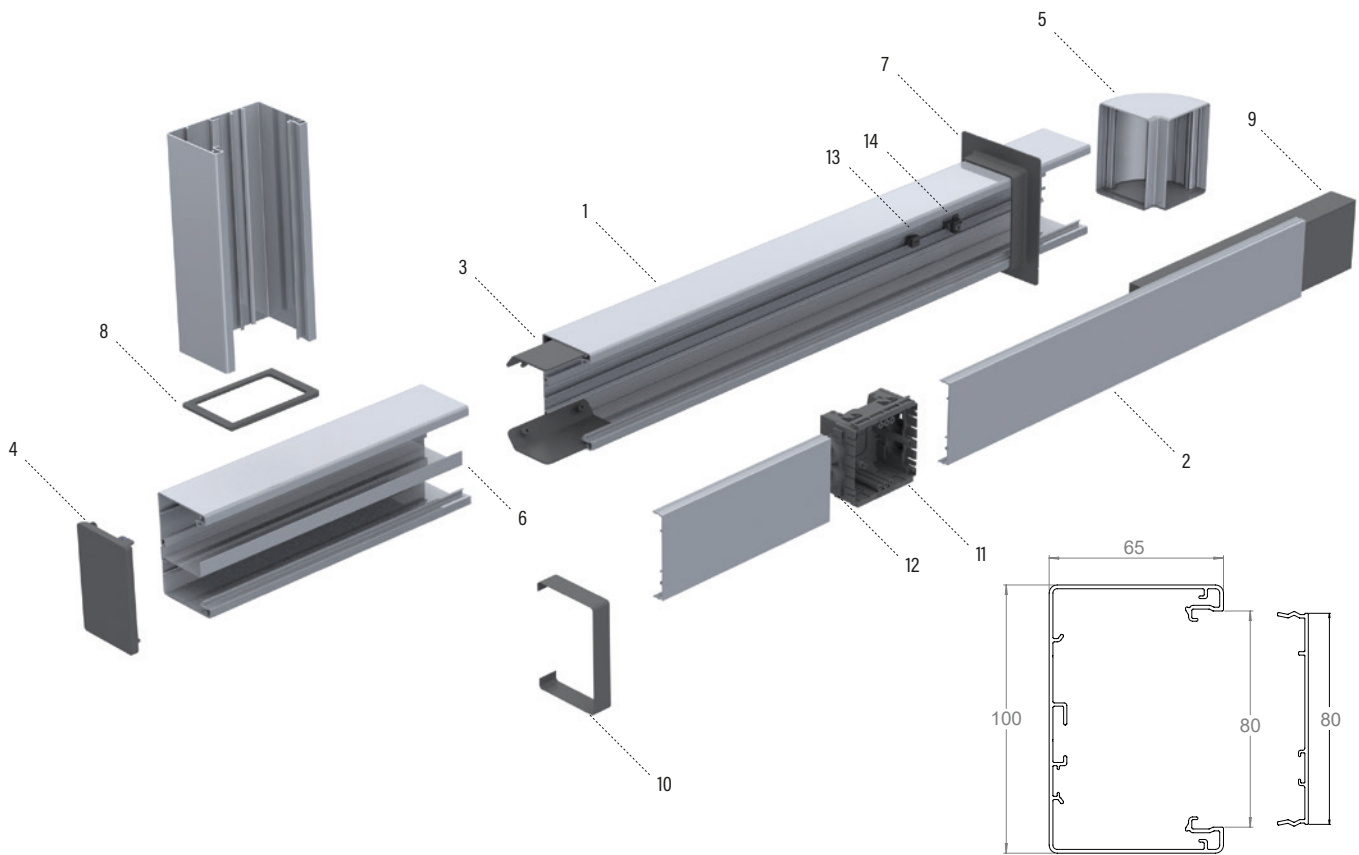
INSTAL® 170-2-45 90

INSTAL® 170-2F-45

INSTAL® 210-2

Instal 170-2-45 M PW Instal 170-2-45 B Instal 170-2-45 AD	1429584 1459074 1429606	Instal 170-2-45 90 M PW Instal 170-2-45 90 AD	1459060 1459062	Instal 170-2F-45 M PW Instal 170-2F-45 AD	1459061 1459063	Instal 210-2 M PW Instal 210-2 AD	1429593 1429605
Instal K80 M PW Instal K80 B Instal K80 AD	1429533 1429575 1429680	Instal K80 M PW Instal K80 AD	1429533 1429680	Instal K80 M PW Instal K80 AD	1429533 1429680	Instal K80 M PW Instal K80 AD	1429533 1429680
Instal K45 M PW Instal K45 B Instal K45 AD	1429531 1459075 1429649	Instal K45 M PW Instal K45 AD	1429531 1429649	Instal K45 M PW Instal K45 AD	1429531 1429649		
Instal J	1429769	Instal J	1429769	Instal J	1429769	Instal J	1429769
Instal KU 170 M PW Instal KU 170 B Instal KU 170 AD	1429526 1459077 1429613					Instal KU 210 M PW Instal KU 210 AD	1429527 1429615
Instal P 170 M Instal P 170 B Instal P 170 AD	1429723 1459076 1429653	Instal P 170 90 M Instal P 170 90 AD	1429792 1429692			Instal P 210 M Instal P 210 AD	1429725 1429655
Instal LVK 170	1429743					Instal LVK 210	1429745
Instal LK 170	1429753					Instal LK 210	1429755
Instal SK 20 Instal SK 40 Instal SK 75 Instal SK 100 Instal SK 125	1429761 1429762 1429763 1429764 1429765	Instal SK 20 Instal SK 40 Instal SK 75 Instal SK 100 Instal SK 125	1429761 1429762 1429763 1429764 1429765			Instal SK 20 Instal SK 40 Instal SK 75 Instal SK 100 Instal SK 125	1429761 1429762 1429763 1429764 1429765
Instal PS M PW Instal PS AD	1429595 1429670	Instal PS M PW Instal PS AD	1429595 1429670			Instal PS M PW Instal PS AD	1429595 1429670
Instal PSJ	1429771	Instal PSJ	1429771			Instal PSJ	1429771
Instal UT 170 M Instal UT 170 AD	1429783 1429683					Instal UT 210 M Instal UT 210 AD	1429785 1429685
Instal SL2 Used with wall bracket SK.	1429528	Instal SL2 Used with wall bracket SK.	1429528			Instal SL2 Used with wall bracket SK.	1429528
Instal VS Instal VS2	1429777 1429778	Instal VS Instal VS2	1429777 1429778	Instal VS Instal VS2	1429777 1429778	Instal VS Instal VS2	1429777 1429778
Instal ML	1429276	Instal ML	1429276	Instal ML	14 292 76	Instal ML	1429276
Instal LIS-48 Instal LIS-80	14293001429301	Instal LIS-48 Instal LIS-80	1429300 1429301	Instal LIS-48 Instal LIS-80	14 293 00 14 293 01	Instal LIS-48 Instal LIS-80	1429300 1429301
Basic MB	1433240	Basic MB	1433240	Basic MB	1433240	Basic MB	1433240
Basic EC	1433241	Basic EC	1433241	Basic EC	1433241	Basic EC	1433241
Instal CH	1429451	Instal CH	1429451	Instal CH	1429451	Instal CH	1429451

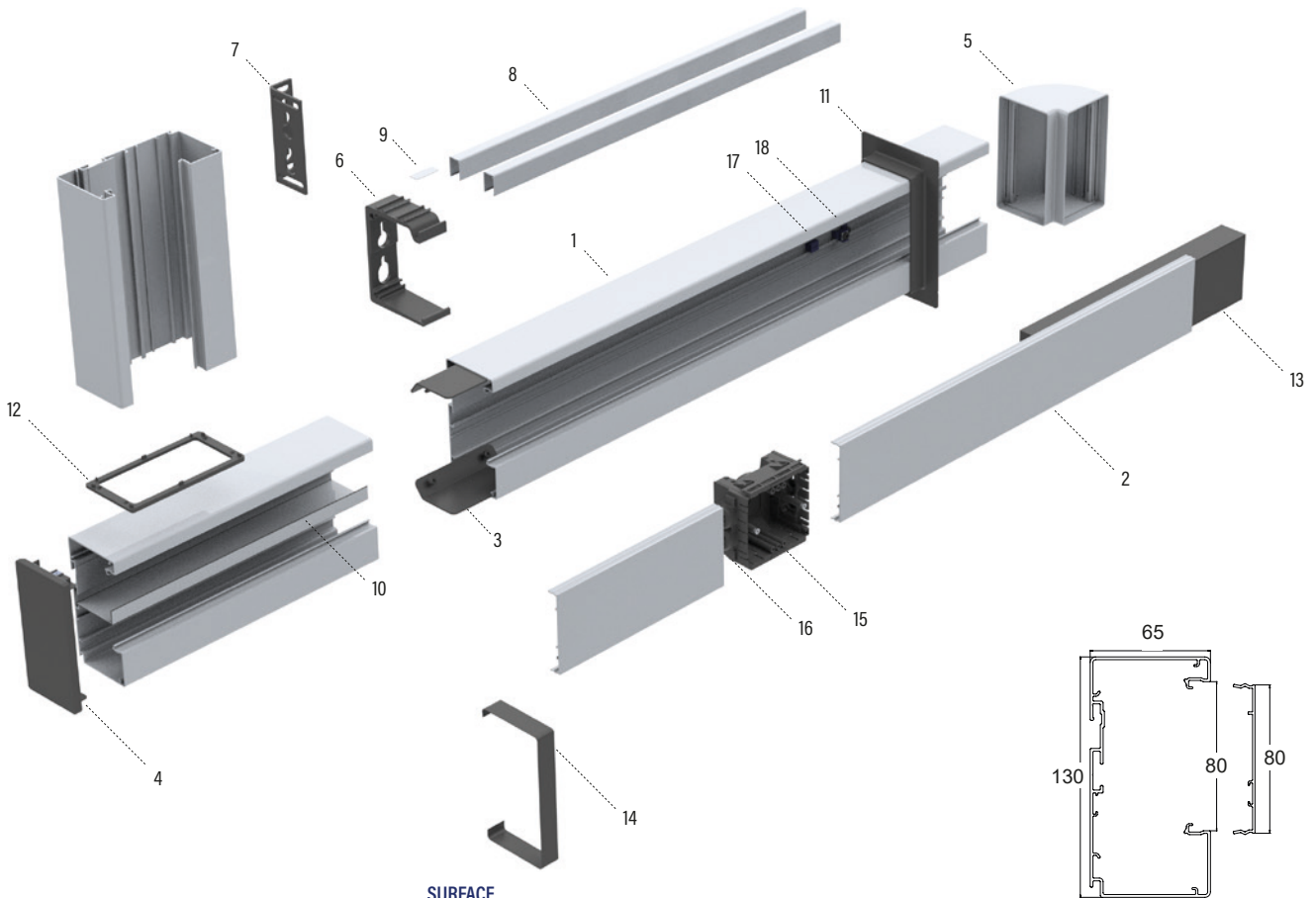
Instal® 100 System



NO.	TYPE	ITEM	SURFACE TREATMENT
1	Cable trunking base	INSTAL 100	(M) (B) (AD)
2	Cover	INSTAL K80	(M) (B) (AD)
3	Joint	INSTAL J	(PG)
4	End plate	INSTAL P 100	Grey, white, black
5	Corner piece	INSTAL KU 100	(M) (B) (AD)
6	Cable shelf	INSTAL VS	(AL)
7	Wall collar	INSTAL LVK 100	White
8	Trunking collar	INSTAL LK 100	White
9	Sound isolation piece	INSTAL LIS-80	Grey
10	Joint cover	INSTAL UT 100	(M) (AD)
11	Mounting box	BASIC MB	White
12	End caps with strain relieves	BASIC EC	White
13	Cable tie clamp	INSTAL CH	White
14	Earthing coupler	INSTAL ML	(PG)

- (M) White paint coat. Atmospheric-corrosivity category C1-C2
- (B) Black paint coat. Atmospheric-corrosivity category C1-C2
- (G) Grey paint coat. Atmospheric-corrosivity category C1-C2
- (AD) Anodized aluminum. Atmospheric-corrosivity category C1-C2
- (AL) Aluminum. Atmospheric-corrosivity category C1-C2
- (EG) Electrogalvanized steel. Atmospheric-corrosivity category C1-C2
- (PG) Pre-galvanized steel. Atmospheric-corrosivity category C1-C2
- (HDG) Hot-dip galvanized after manufacturing. Atmospheric-corrosivity category C1-C4
- (XPG) XPG coated. Atmospheric-corrosivity category C1-C4
- (HSI) Acid-proof steel. Atmospheric-corrosivity category C1-CX

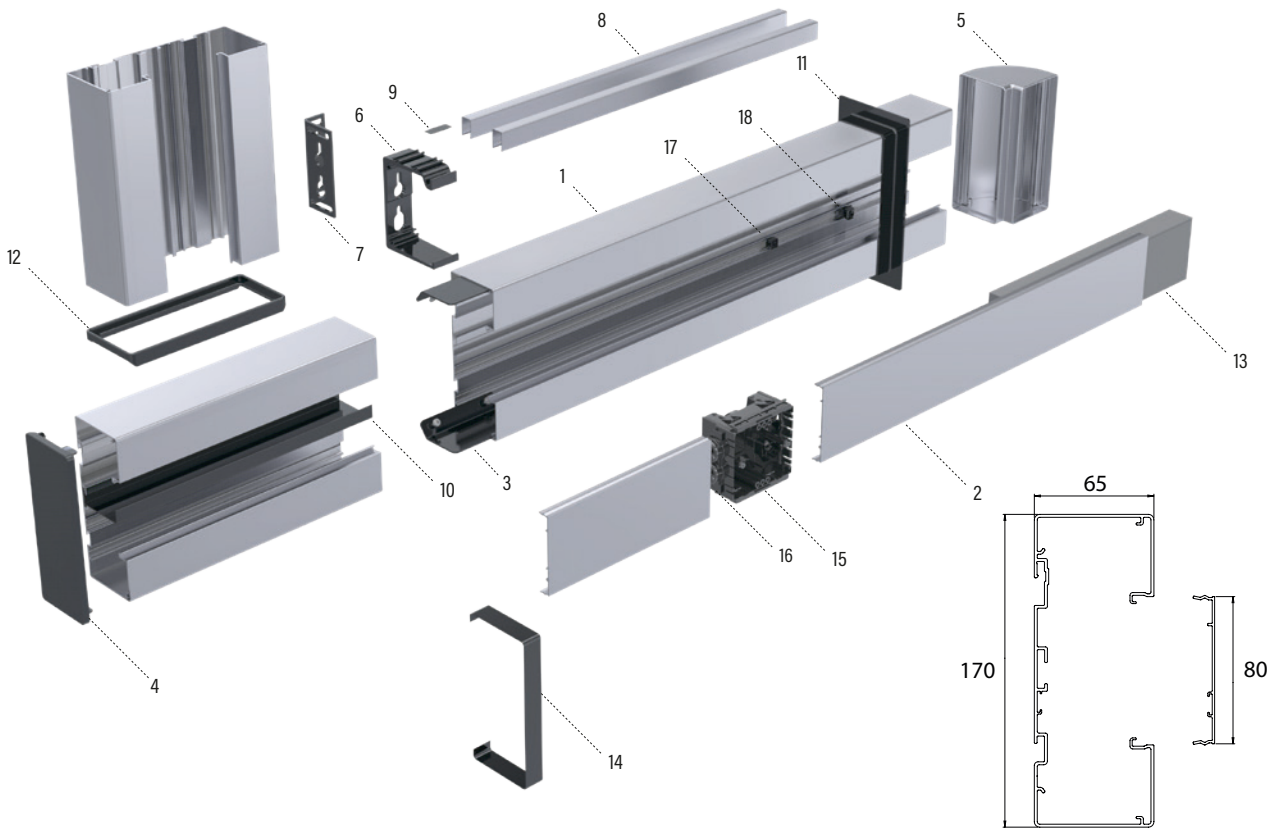
Instal® 130 System



NO.	TYPE	ITEM	SURFACE TREATMENT
1	Cable trunking base	INSTAL 130	(M) (B) (AD)
2	Cover	INSTAL K80	(M) (B) (AD)
3	Joint	INSTAL J	(PG)
4	End plate	INSTAL P 130	Grey, white, black
5	Corner piece	INSTAL KU 130	(M) (B) (AD)
6	Wall bracket	INSTAL SK	(AL)
7	Adjusting piece	INSTAL SL2	(PG)
8	Decorative rib	INSTAL PS	(M) (AD)
9	Joint	INSTAL PSJ	(PG)
10	Cable shelf	INSTAL VS	(AL)
11	Wall collar	INSTAL LVK 130	White
12	Trunking collar	INSTAL LK 130	White
13	Sound isolation piece	INSTAL LIS-80	Grey
14	Joint cover	INSTAL UT 130	(M) (AD)
15	Mounting box	BASIC MB	White
16	End caps with strain relieves	BASIC EC	White
17	Cable tie clamp	INSTAL CH	White
18	Earthing coupler	INSTAL ML	(PG)

- (M) White paint coat. Atmospheric-corrosivity category C1-C2
- (B) Black paint coat. Atmospheric-corrosivity category C1-C2
- (G) Grey paint coat. Atmospheric-corrosivity category C1-C2
- (AD) Anodized aluminum. Atmospheric-corrosivity category C1-C2
- (AL) Aluminum. Atmospheric-corrosivity category C1-C2
- (EG) Electrogalvanised steel. Atmospheric-corrosivity category C1-C2
- (PG) Pre-galvanised steel. Atmospheric-corrosivity category C1-C2
- (HDB) Hot-dip galvanised after manufacturing. Atmospheric-corrosivity category C1-C4
- (XPG) XPG coated. Atmospheric-corrosivity category C1-C4
- (HS) Acid-proof steel. Atmospheric-corrosivity category C1-CX

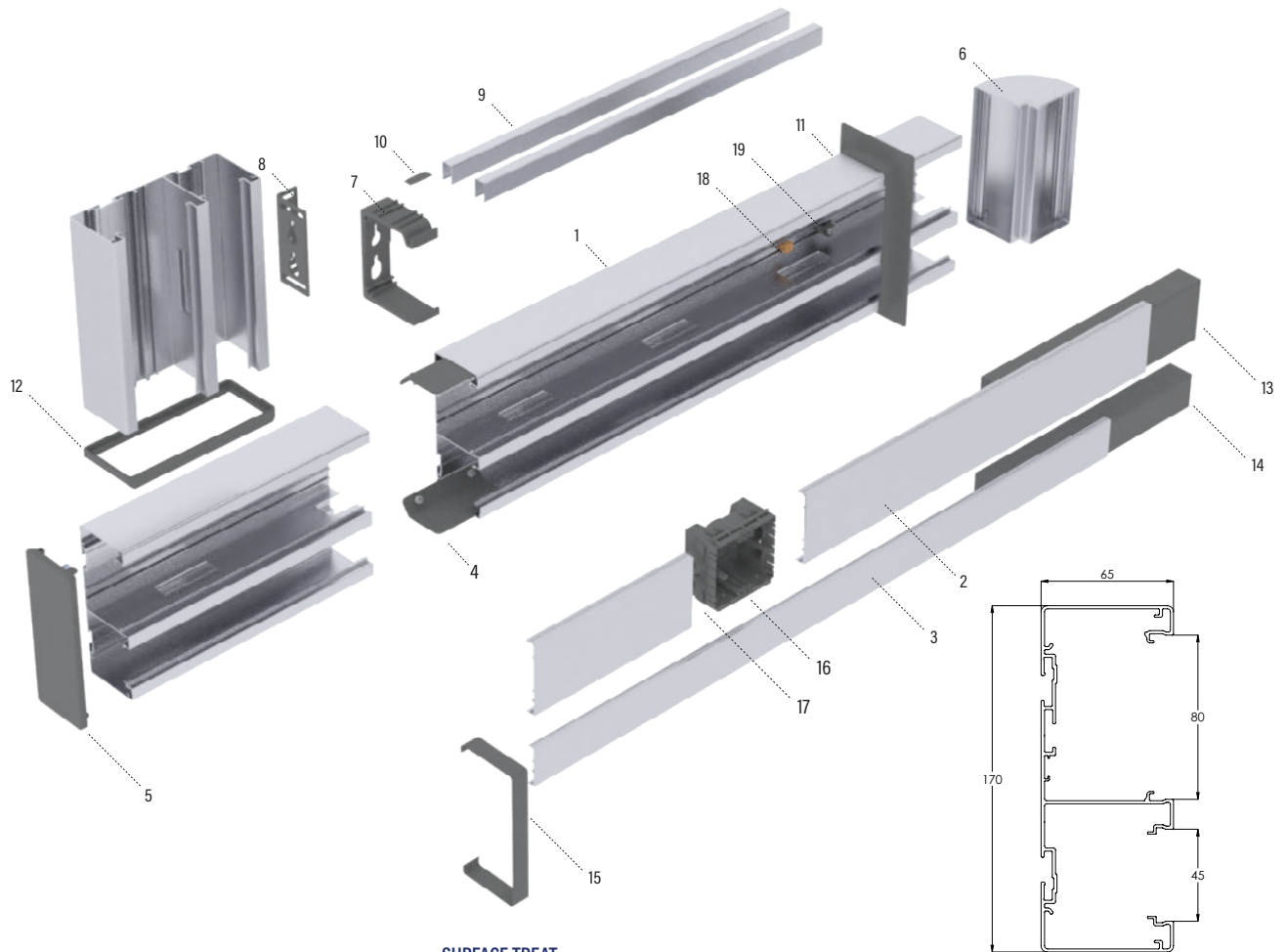
Instal® 170-1 System



NO.	TYPE	ITEM	SURFACE TREATMENT
1	Cable trunking base	INSTAL 170-1	(M) (AD)
2	Cover	INSTAL K80	(M) (AD)
3	Joint	INSTAL J	(PG)
4	End plate	INSTAL P 170	Grey, white
5	Corner piece	INSTAL KU 170	(M) (AD)
6	Wall bracket	INSTAL SK	(AL)
7	Adjusting piece	INSTAL SL2	(PG)
8	Decorative rib	INSTAL PS	(M) (AD)
9	Joint	INSTAL PSJ	(PG)
10	Cable shelf	INSTAL VS	(AL)
11	Wall collar	INSTAL LVK 170	White
12	Trunking collar	INSTAL LK 170	White
13	Sound isolation piece	INSTAL LIS-80	Grey
14	Joint cover	INSTAL UT 170	(M) (AD)
15	Mounting box	BASIC MB	White
16	End caps with strain relieves	BASIC EC	White
17	Cable tie clamp	INSTAL CH	White
18	Earthing coupler	INSTAL ML	(PG)

- (M) White paint coat. Atmospheric-corrosivity category C1-C2
- (B) Black paint coat. Atmospheric-corrosivity category C1-C2
- (G) Grey paint coat. Atmospheric-corrosivity category C1-C2
- (AD) Anodized aluminum. Atmospheric-corrosivity category C1-C2
- (AL) Aluminum. Atmospheric-corrosivity category C1-C2
- (EG) Electrogalvanised steel. Atmospheric-corrosivity category C1-C2
- (PG) Pre-galvanised steel. Atmospheric-corrosivity category C1-C2
- (HDG) Hot-dip galvanised after manufacturing. Atmospheric-corrosivity category C1-C4
- (XPG) XPG coated. Atmospheric-corrosivity category C1-C4
- (HST) Acid-proof steel. Atmospheric-corrosivity category C1-CX

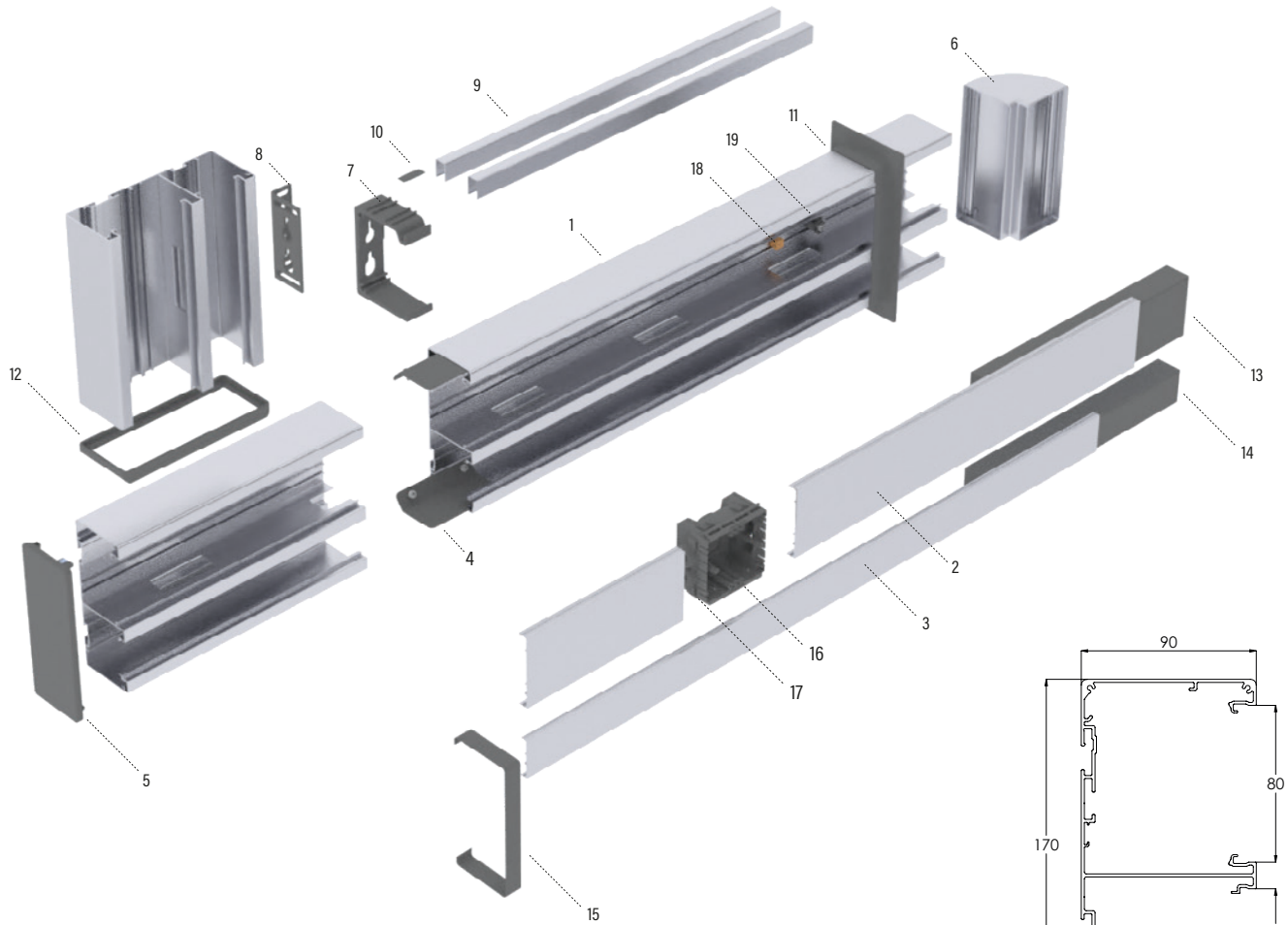
Instal[®] 170-2-45 System



NO.	TYPE	ITEM	SURFACE TREATMENT
1	Cable trunking base	INSTAL 170-2-45	(M) (B) (AD)
2	Cover	INSTAL K80	(M) (B) (AD)
3	Cover	INSTAL K45	(M) (B) (AD)
4	Joint	INSTAL J	(PG)
5	End plate	INSTAL P 170	Grey, white, black
6	Corner piece	INSTAL KU 170	(M) (B) (AD)
7	Wall bracket	INSTAL SK	(AL)
8	Adjusting piece	INSTAL SL2	(PG)
9	Decorative rib	INSTAL PS	(M) (AD)
10	Joint	INSTAL PSJ	(PG)
11	Wall collar	INSTAL LVK 170	White
12	Trunking collar	INSTAL LK 170	White
13	Sound isolation piece	INSTAL LIS-80	Grey
14	Sound isolation piece	INSTAL LIS-48	Grey
15	Joint cover	INSTAL UT 170	(M) (AD)
16	Mounting box	BASIC MB	White
17	End caps with strain relieves	BASIC EC	White
18	Cable tie clamp	INSTAL CH	White
19	Earthing coupler	INSTAL ML	(PG)

- (M) White paint coat. Atmospheric-corrosivity category C1-C2
- (B) Black paint coat. Atmospheric-corrosivity category C1-C2
- (G) Grey paint coat. Atmospheric-corrosivity category C1-C2
- (AD) Anodized aluminum. Atmospheric-corrosivity category C1-C2
- (AL) Aluminum. Atmospheric-corrosivity category C1-C2
- (EG) Electrogalvanized steel. Atmospheric-corrosivity category C1-C2
- (PG) Pre-galvanized steel. Atmospheric-corrosivity category C1-C2
- (HDG) Hot-dip galvanized after manufacturing. Atmospheric-corrosivity category C1-C4
- (XPG) XPG coated. Atmospheric-corrosivity category C1-C4
- (HST) Acid-proof steel. Atmospheric-corrosivity category C1-CX

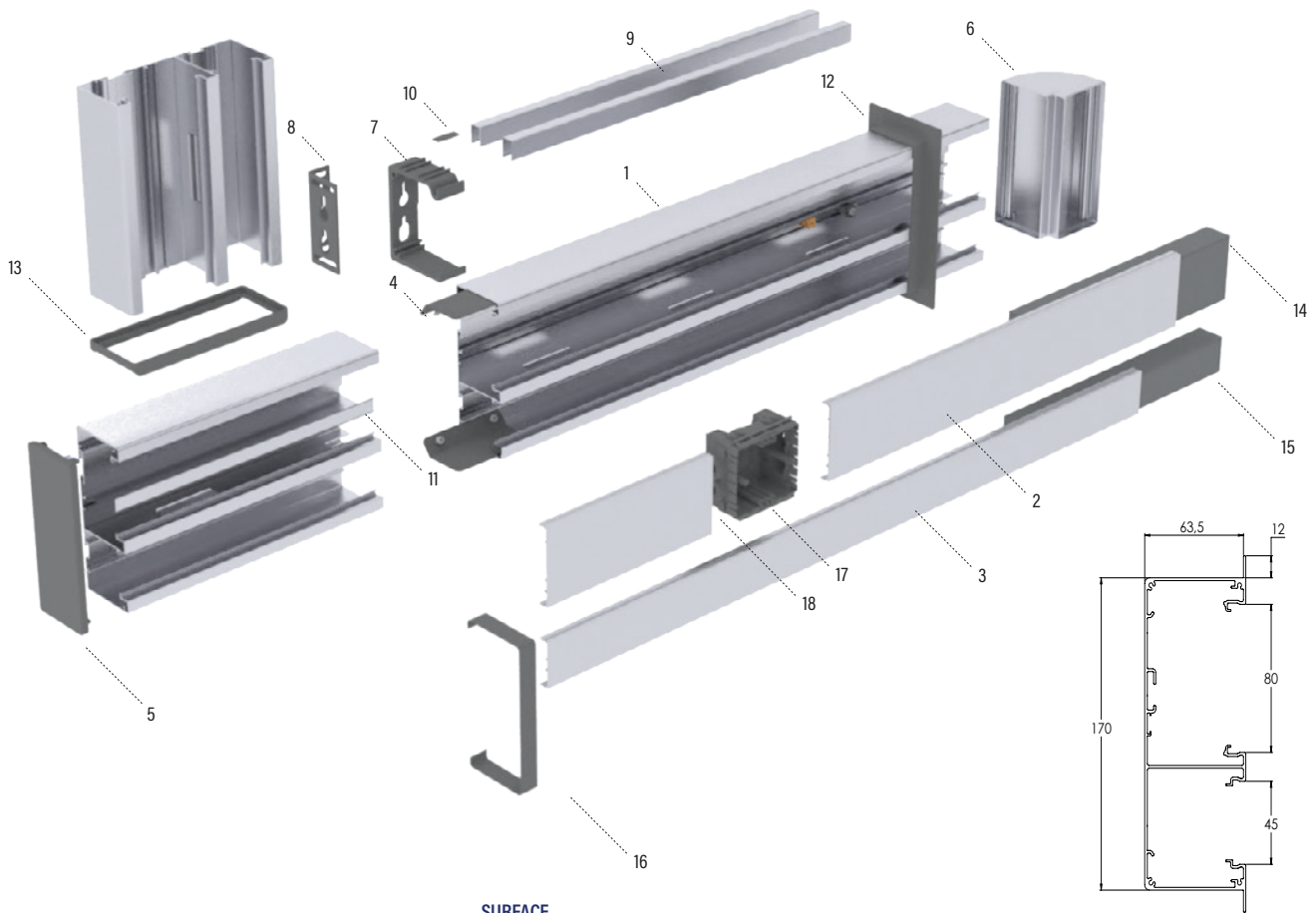
Instal® 170-2-45 90 System



NO.	TYPE	ITEM	SURFACE TREATMENT
1	Cable trunking base	INSTAL 170-2-45 90	(M) (AD)
2	Cover	INSTAL K80	(M) (AD)
3	Cover	INSTAL K45	(M) (AD)
4	Joint	INSTAL J	(PG)
5	End plate	INSTAL P 170 90	(M) (AD)
6	Corner piece	INSTAL KU 170	(M) (AD)
7	Wall bracket	INSTAL SK	(AL)
8	Adjusting piece	INSTAL SL2	(PG)
9	Decorative rib	INSTAL PS	(M) (AD)
10	Joint	INSTAL PSJ	(PG)
11	Wall collar	INSTAL LVK 170	White
12	Trunking collar	INSTAL LK 170	White
13	Sound isolation piece	INSTAL LIS-80	Grey
14	Sound isolation piece	INSTAL LIS-48	Grey
15	Joint cover	INSTAL UT 170	(M) (AD)
16	Mounting box	BASIC MB	White
17	End caps with strain relieves	BASIC EC	White
18	Cable tie clamp	INSTAL CH	White
19	Earthing coupler	INSTAL ML	(PG)

- (M) White paint coat. Atmospheric-corrosivity category C1-C2
- (B) Black paint coat. Atmospheric-corrosivity category C1-C2
- (G) Grey paint coat. Atmospheric-corrosivity category C1-C2
- (AD) Anodized aluminum. Atmospheric-corrosivity category C1-C2
- (AL) Aluminum. Atmospheric-corrosivity category C1-C2
- (EG) Electrogalvanised steel. Atmospheric-corrosivity category C1-C2
- (PG) Pre-galvanised steel. Atmospheric-corrosivity category C1-C2
- (HDB) Hot-dip galvanised after manufacturing. Atmospheric-corrosivity category C1-C4
- (XPG) XPG coated. Atmospheric-corrosivity category C1-C4
- (HST) Acid-proof steel. Atmospheric-corrosivity category C1-CX

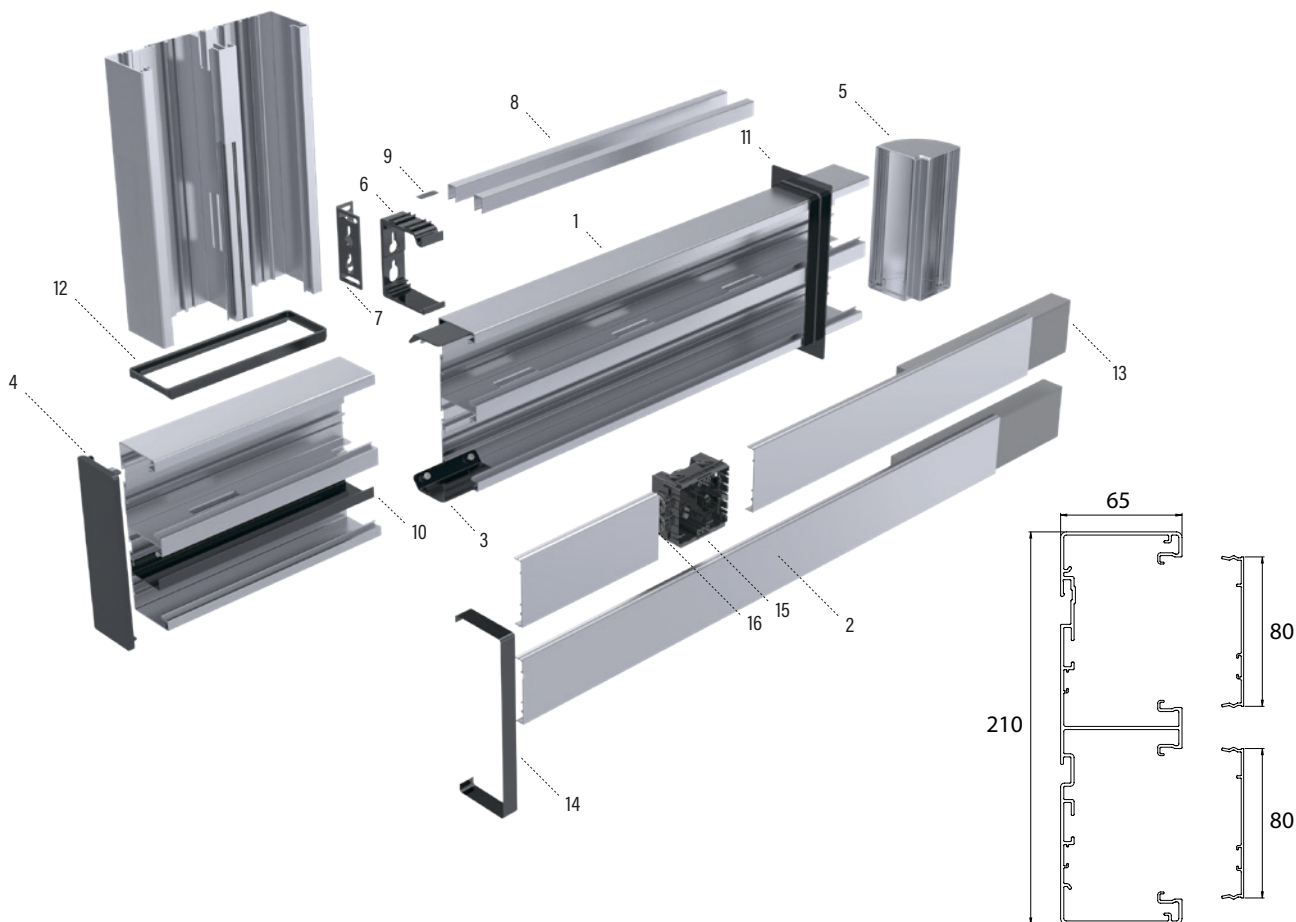
Instal® 170-2F-45 System



NO.	TYPE	ITEM	SURFACE TREATMENT
1	Cable trunking base	INSTAL 170-2F-45	(M) (AD)
2	Cover	INSTAL K80	(M) (AD)
3	Cover	INSTAL K45	(M) (AD)
4	Joint	INSTAL J	(PG)
5	End plate	INSTAL P 170	Grey, White
6	Corner piece	INSTAL KU 170	(M) (AD)
7	Wall bracket	INSTAL SK	(AL)
8	Adjusting piece	INSTAL SL2	(PG)
9	Decorative rib	INSTAL PS	(M) (AD)
10	Joint	INSTAL PSJ	(PG)
11	Cable shelf	INSTAL VS	(AL)
12	Wall collar	INSTAL LVK 170	White
13	Trunking collar	INSTAL LK 170	White
14	Sound isolation piece	INSTAL LIS-80	Grey
15	Sound isolation piece	INSTAL LIS-48	Grey
16	Joint cover	INSTAL UT 170	(M) (AD)
17	Mounting box	BASIC MB	White
18	End caps with strain relieves	BASIC EC	White
	Cable tie clamp	INSTAL CH	White
	Earthing coupler	INSTAL ML	(PG)

- (M) White paint coat. Atmospheric-corrosivity category C1-C2
- (B) Black paint coat. Atmospheric-corrosivity category C1-C2
- (G) Grey paint coat. Atmospheric-corrosivity category C1-C2
- (AD) Anodized aluminum. Atmospheric-corrosivity category C1-C2
- (AL) Aluminum. Atmospheric-corrosivity category C1-C2
- (EG) Electrogalvanised steel. Atmospheric-corrosivity category C1-C2
- (PG) Pre-galvanised steel. Atmospheric-corrosivity category C1-C2
- (HDG) Hot-dip galvanised after manufacturing. Atmospheric-corrosivity category C1-C4
- (XPG) XPG coated. Atmospheric-corrosivity category C1-C4
- (HST) Acid-proof steel. Atmospheric-corrosivity category C1-CX

Instal® 210-2 System



NO.	TYPE	ITEM	SURFACE TREATMENT
1	Cable trunking base	INSTAL 210-2	(M) (AD)
2	Cover	INSTAL K80	(M) (AD)
3	Joint	INSTAL J	(PG)
4	End plate	INSTAL P 210	White, grey
5	Corner piece	INSTAL KU 210	(M) (AD)
6	Wall bracket	INSTAL SK	(AL)
7	Adjusting piece	INSTAL SL2	(PG)
8	Peitesäle	INSTAL PS	(M) (AD)
9	Decorative rib	INSTAL PSJ	(PG)
10	Cable shelf	INSTAL VS	(AL)
11	Wall collar	INSTAL LVK 210	White
12	Trunking collar	INSTAL LK 210	White
13	Sound isolation piece	INSTAL LIS-80	Grey
14	Joint cover	INSTAL UT 210	(M) (G)
15	Mounting box	BASIC MB	White
16	End caps with strain relieves	BASIC EC	White
	Cable tie clamp	INSTAL CH	White
	Earthing coupler	INSTAL ML	(PG)

- (M) White paint coat. Atmospheric-corrosivity category C1-C2
- (B) Black paint coat. Atmospheric-corrosivity category C1-C2
- (G) Grey paint coat. Atmospheric-corrosivity category C1-C2
- (AD) Anodized aluminum. Atmospheric-corrosivity category C1-C2
- (AL) Aluminum. Atmospheric-corrosivity category C1-C2
- (EG) Electro-galvanized steel. Atmospheric-corrosivity category C1-C2
- (PG) Pre-galvanized steel. Atmospheric-corrosivity category C1-C2
- (HDG) Hot-dip galvanized after manufacturing. Atmospheric-corrosivity category C1-C4
- (XPG) XPG coated. Atmospheric-corrosivity category C1-C4
- (HST) Acid-proof steel. Atmospheric-corrosivity category C1-CX

Now made of low-carbon aluminium



Lightweight and durable

The familiar features of Instal cable trunkings remain the same, but now with a 50% smaller carbon footprint.



50% lower carbon footprint is possible by the renewable energy sources used in the production of the raw material and the technology used.

The production uses high-tech and the manufacturing chain is verified at every step. We also rely on renewable energy in transportation.



EMISSIONS IN RATIO
FOR ALUMINUM USED IN EUROPE
Kg CO2e / kg aluminium



Recognise our low-carbon products by this logo and label on product packaging



Environmental standard ISO 14001 guides our activities and by choosing the raw material with a smaller carbon footprint we take responsibility for nature. We are constantly looking for more durable and nature materials for our products.

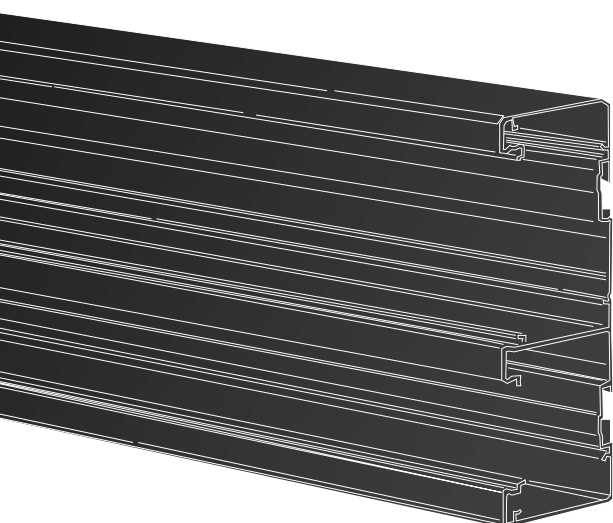


Find out more

New color – *stylish black* is
now available in stock

INSTAL® 130 B

INSTAL® 170-2-45 B



INSTAL® 100 B

Instal®

ADAPTIVE

Suitable for a wide
range of uses



COMPATIBILITY

Wide range of
installation possibilities
for different products



EASY and FAST

installation

Explore online: www.meka.eu

Our expert sales team will be happy to help
find the right solutions for you

**STEFAN
LINDROOS**

Export Director
+358 40 5050 059

**ANDREJUS
FIRSANOVAS**

Area Sales Director
Estonia, Latvia,
Lithuania
+370 685 70 808

**ALEXANDRU
FILIMON**

Export Manager
+358 40 4862 441

JAANUS LAIKMAA

Sales Manager
Estonia
+372 50 36 903

EERO VESILOO

Sales Representative
Estonia
+372 5919 3471

JURIJS SIGAJEVS

Sales Manager Latvia
+371 265 48 200

**DMITRIJUS
LOMONOSOVAS**

Sales Manager
Lithuania
+370 698 30945



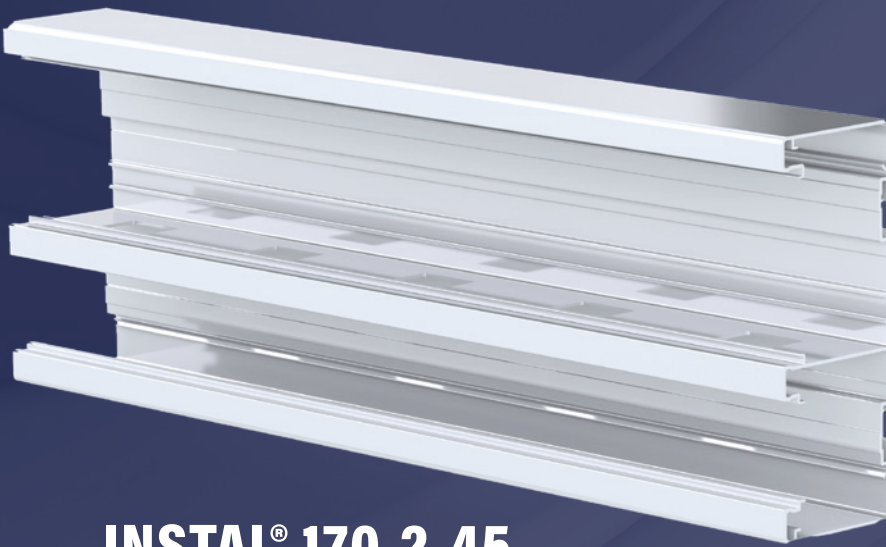
Mek Pro has 70 years of experience in the design, manufacture and
installation of demanding metal structures.

WWW.MEKA.EU



Changes in Meka Instal® products

INSTAL® 170-2-45 replaces Cable trunking base INSTAL® 170-2



INSTAL® 170-2-45

Front opening size changes
48 mm → 45 mm.
From now on it is suitable for
installing 45mm sockets.

Versatile, installer-friendly cable trunking with two openings for furniture. The aluminum Instal® cable trunking base enables the implementation of electricity distribution and data connections easily and quickly

With the update even more compatible solutions.



FIND OUT MORE

Product updates:

1429584	INSTAL 170-2-45 L=3000 M PW REPLACES INSTAL 170-2 L=3000 M PW
1429606	INSTAL 170-2-45 L=3000 AD REPLACES INSTAL 170-2 L=3000 AD
1459074	INSTAL 170-2-45 L=3000 B NEW COLOR! BLACK STOCK ITEM
1429531 M PW 1459075 B 1429649 AD	INSTAL K45 L=3000 M PW / B / AD REPLACES INSTAL K48